

## DS-E04HGHI-B TURBO HD eSSD DVR

### Key Feature

- Powered by eSSD technology
- Low power consumption
- Scene-adaptive bitrate control video compression
- Deep learning based human and vehicle targets classification of Motion Detection 2.0
- HDTVI/AHD/CVI/CVBS/IP video inputs
- Up to 1080p Lite@30 fps encoding capability



### Built-In SSD

- Minimalist eSSD design brings low power consumption
- Integrated storage design provides the plug-and-play device use

### Easy Installation

- Mini size design saves installation space
- Anti-vibration design and light weight satisfy more installation conditions

### Compression and Recording

- Scene-adaptive bitrate control technology would precisely allocate videos in eSSD according to the actual scene
- Full channel recording at up to 2 MP Lite resolution

### Smart Function

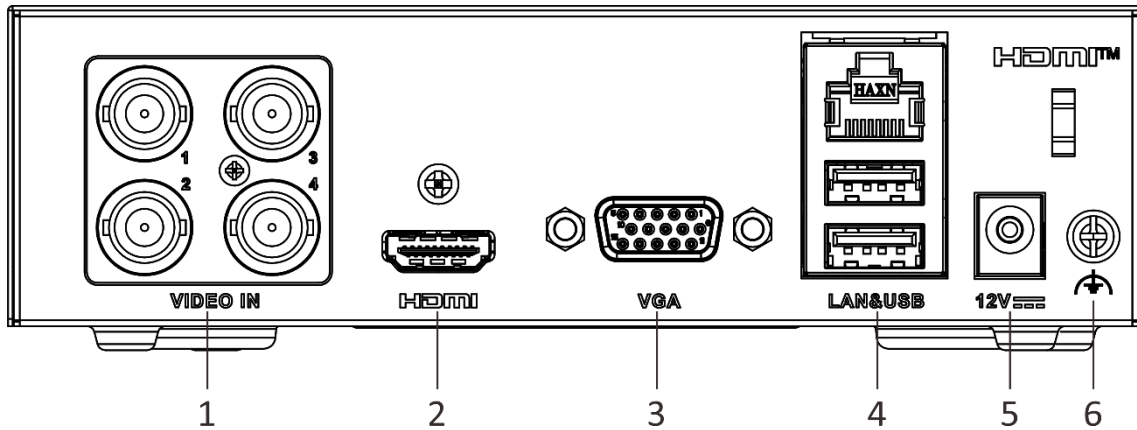
- Deep learning-based motion detection 2.0
- Smart search for efficient playback

## ▪ Specification

Motion Detection 2.0	
Human/Vehicle Analysis	<p>Deep learning-based motion detection 2.0 is enabled by default for all analog channels, it can classify human and vehicle, and extremely reduce false alarms caused by objects like leaves and lights;</p> <p>Quick search by object or event type is supported;</p>
Recording	
Video Compression	H.265 Pro/H.265
Encoding Resolution	1080p Lite/720p/WD1/4CIF/CIF
Frame Rate	<p>Main stream: 1080p Lite/720p/WD1/4CIF/CIF@25 fps (P)/30 fps (N)</p> <p>Note: 1080p Lite/720p is 15 fps by default</p> <p>Sub-stream: 4CIF@15 fps; CIF/QVGA@25 fps (P)/30 fps (N)</p>
Video Bitrate	According to the actual scene, scene-adaptive bitrate control technology would automatically allocates appropriate bitrate to ensure the stability of recording period.
Stream Type	<p>Video, Video &amp; Audio</p> <p>Note: In order to protect privacy, the device will only record video (without audio) by default. If you want to record audio, you shall manually enable audio recording. For operation details, refer to the user manual.</p>
Audio Compression	G.711u
Audio Bitrate	64 Kbps
Video and Audio	
IP Video Input	<p>1-ch</p> <p>Up to 1080p resolution</p> <p>Support H.265+/H.265 IP cameras</p>
Analog Video Input	<p>4-ch</p> <p>BNC interface (1.0 Vp-p, 75 Ω), supporting coaxitron connection</p>
HDTVI Input	1080p25, 1080p30, 720p25, 720p30
AHD Input	1080p25, 1080p30, 720p25, 720p30
HDCVI Input	1080p25, 1080p30, 720p25, 720p30
CVBS Input	Support
HDMI Output	1-ch, 1920 × 1080/60Hz, 1280 × 1024/60Hz, 1280 × 720/60Hz
VGA Output	1-ch, 1920 × 1080/60Hz, 1280 × 1024/60Hz, 1280 × 720/60Hz
Video Output Mode	HDMI/VGA simultaneous output

Audio Input	4-ch via coaxial cable
Audio Output	1-ch via HDMI
Synchronous playback	4-ch
<b>Network</b>	
Total Bandwidth	64 Mbps Incoming bandwidth: 1 Mbps
Remote Connection	32
Network Protocol	TCP/IP, DHCP, Hik-Connect, DNS, DDNS, NTP, SADP, SMTP, NFS, UPnP™, HTTPS
Network Interface	1, RJ45 10/100 Mbps self-adaptive Ethernet interface
<b>Auxiliary Interface</b>	
Capacity	Built-in 330 GB eSSD (300 GB available) Note: The device can store about 2 weeks videos for 4-ch analog cameras (default parameters), this estimation is for reference only.
USB Interface	Rear panel: 2 × USB 2.0
Alarm In/Out	N/A
<b>General</b>	
Power Supply	12 VDC, 1 A
Consumption	≤ 5.4 W (with eSSD)
Working Temperature	-10 °C to 45 °C (14 °F to +113 °F)
Working Humidity	10% to 90%
Dimension (W × D × H)	151 × 121 × 46 mm (5.94 × 4.76 × 1.81 inch)
Weight	≤ 0.5 kg (with eSSD, 1.1 lb.)

## Physical Interface



No.	Description	No.	Description
1	Video and coaxial audio in	4	LAN network interface and USB interface
2	HDMI interface	5	Power supply
3	VGA interface	6	GND

## Available Model

DS-E04HGHI-B

### Headquarters

No.555 Qianmo Road, Binjiang District,  
Hangzhou 310051, China  
T +86-571-8807-5998  
www.hikvision.com



Follow us on social media to get the latest product and solution information.



## DS-2CE10DF0T-FS 2MP ColorVu Audio Fixed Mini Bullet Camera

# ColorVu



- High quality imaging with 2 MP, 1920 × 1080 resolution
- 24/7 color imaging with F1.0 aperture
- 3D DNR technology delivers clean and sharp images
- 2.8 mm, 3.6 mm fixed focal lens
- Up to 20 m white light distance for bright night imaging
- High quality audio with audio over coaxial cable, built-in mic
- One port for four switchable signals (TVI/AHD/CVI/CVBS)
- Water and dust resistant (IP67)

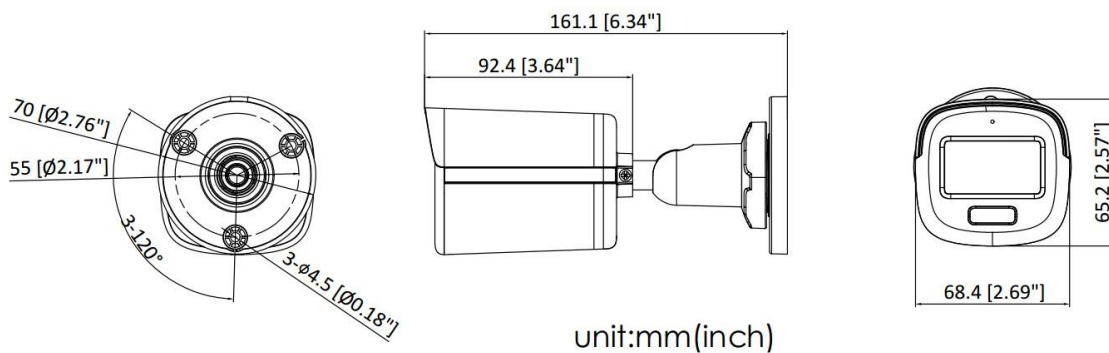
## ▪ Specification

Camera	
Image Sensor	2 MP CMOS
Max. Resolution	1920 (H) × 1080 (V)
Min. Illumination	0.001 Lux @ (F1.0, AGC ON), 0 Lux with white light
Shutter Time	PAL: 1/25 s to 1/50,000 s; NTSC: 1/30 s to 1/50,000 s
Angle Adjustment	Pan: 0° to 360°, Tilt: 0° to 90°, Rotate: 0° to 360°
Signal System	PAL/NTSC
Lens	
Lens Type	2.8 mm, 3.6 mm fixed focal lens
Focal Length & FOV	2.8 mm, horizontal FOV: 105°, vertical FOV: 55°, diagonal FOV: 125° 3.6 mm, horizontal FOV: 84°, vertical FOV: 45°, diagonal FOV: 99°
Lens Mount	M12
Illuminator	
Supplement Light Type	White Light
Supplement Light Range	Up to 20 m
Smart Supplement Light	Yes
Image	
Image Parameters Switch	STD/HIGH-SAT/HIGHLIGHT
Image Settings	Brightness, Sharpness, Anti-banding, AGC
Frame Rate	TVI: 1080p @25 fps/30 fps CVI: 1080p @25 fps/30 fps AHD: 1080p @25 fps/30 fps CVBS: PAL/NTSC
Day/Night Mode	Color
Wide Dynamic Range (WDR)	Digital WDR
Image Enhancement	DWDR, BLC, HLC, Global
Noise Reduction	3D DNR/2D DNR
White Balance	Auto, Manual
Interface	
Video Output	Switchable TVI/AHD/CVI/CVBS
Alarm	Solid Light Alarm (White Light)
General	
Material	Front cover: Plastic, Main body: Metal
Power	12 VDC ± 25%, max. 2 W, *You are recommended to use one power adapter to supply the power for one camera.
Dimension	161.1 mm × 68.4 mm (6.34" × 2.69")
Weight	Approx. 380 g (0.84 lb.)
Operating Condition	-40 °C to 60 °C (-40 °F to 140 °F). Humidity: 90% or less (non-condensing)
Communication	HIKVISION-C
Language	English
Approval	
Protection	IP67

▪ **Available Model**

DS-2CE10DF0T-FS (2.8/3.6 mm)

▪ **Dimension**



▪ **Accessory**

▪ **Optional**

**DS-1280ZJ-XS**

**Junction Box**



**Headquarters**

No.555 Qianmo Road, Binjiang District,  
Hangzhou 310051, China  
T +86-571-8807-5998  
www.hikvision.com



Follow us on social media to get the latest product and solution information.

